



**Safeaire™**

Patent Pending 63042312

**Price List and Order Form**

## ANTI-VIRAL/ANTI-BACTERIAL FILTER

### FEATURES

- Neutralizes all viruses, microbes and bacteria quickly, independent lab verified
- Easily installed in any HVAC or air handling system, standard filter sizes and thicknesses
- Increases the energy efficiency of any air system over high MERV and HEPA filters
- Less than 4% loss of air flow
- Reusable, washable filter with 10+ years of life
- Low voltage input with a typical power consumption of only one watt
- Low cost and quick return on investment through energy usage and disposables savings
- Virtually eliminates the handling of virus contaminated filters and subsequent landfill disposal

### MSRP PRICING FOR END USER

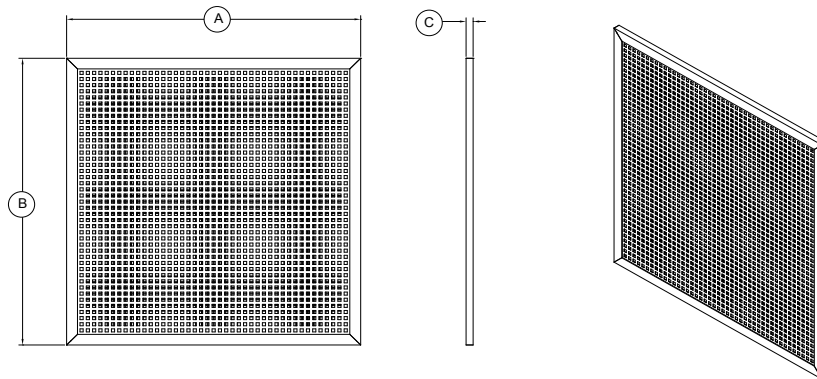
Dealer/Installer Discounts 25% - 50% off MSRP Based on Volume

Anti-Viral/Anti-Bacterial Filter Pricing		
Filter Area (in <sup>2</sup> )	Price per in <sup>2</sup>	Total Price per Unit (MSRP)
Up to 200 (e.g., 10" x 20")	\$0.95	\$190.00
201 - 300 (e.g., 15" x 20")	\$0.85	\$225.00
301 - 400 (e.g., 20" x 20")	\$0.75	\$300.00
401 - 500 (e.g., 25" x 20")	\$0.70	\$350.00

Installation Accessories Price List (MSRP)		
Part No.	Description	Total Price per Unit (MSRP)
TS02	2-Pin Wire Splice, 12 V, 24-20 AWG, 12 Pack	\$25.00
PDB12-9	Power Distribution Box, 95 to 260 Vac 50/60 Hz Input, 12 Vdc Output, 10"W x 8.25"H x 3.75"D Supports up to 30 Anti-Viral/Anti-Bacterial Filter power inputs	\$160.00
PC2412	24 Vac -to-12 Vdc converter (use to convert HVAC system's 24 Vac power supply to 12 Vdc)	\$35.00
PS12-1.5	95 to 260 Vac 50/60 Hz Input to 12 Vdc Output Power Adapter (powers up to 4 filters)	\$35.00
SPL4-1	4-Way Power Splitter (Use with 60413XX)	\$12.00
CTM4	4-Way Cable Tie Mounting Base (25 Pack)	\$8.00
TCW20-100	Wire, 20 GA BLK/RED Striped, PVC, 12-24 Vdc 100 ft.	\$50.00

# ANTI-VIRAL/ANTI-BACTERIAL FILTER

## ORDER FORM



### ANTI-VIRAL/ANTI-BACTERIAL FILTER ORDER FORM

Provide quantity required and A, B, and C dimensions of your current filter(s) as referenced in the above diagram:

FILTER QTY.	"A" Dimension (in.)	"B" Dimension (in.)	"C" Dimension (in.)

### INSTALLATION ACCESSORIES ORDER FORM

Enter number of each item requested in each column:

	ENTER QTY. NEEDED PER ITEM					
Part Number	TS02 Wire T-Splice 1 (12 Pack)	PS12-1. Power Supply 1 (Powers up to 4 Filters)	PDB12-9 Power Supply 2 (Powers up to 30 Filters)	PC2412 24VAC TO 12VDC CONVERTER	CTM4 Cable Tie Base (25 Pack)	TWC20-100 20 AWG Wire (100 ft. Spool)
Quantity						

**SARTEK INDUSTRIES INC.**

**17 N BELLE MEAD AVE.**

**SETAUKET, NY 11733**

**WWW.SARTEK.COM V (631)473-3555 F (631)473-3558**

**EMAIL INFO@SARTEK.COM**